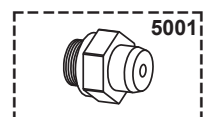
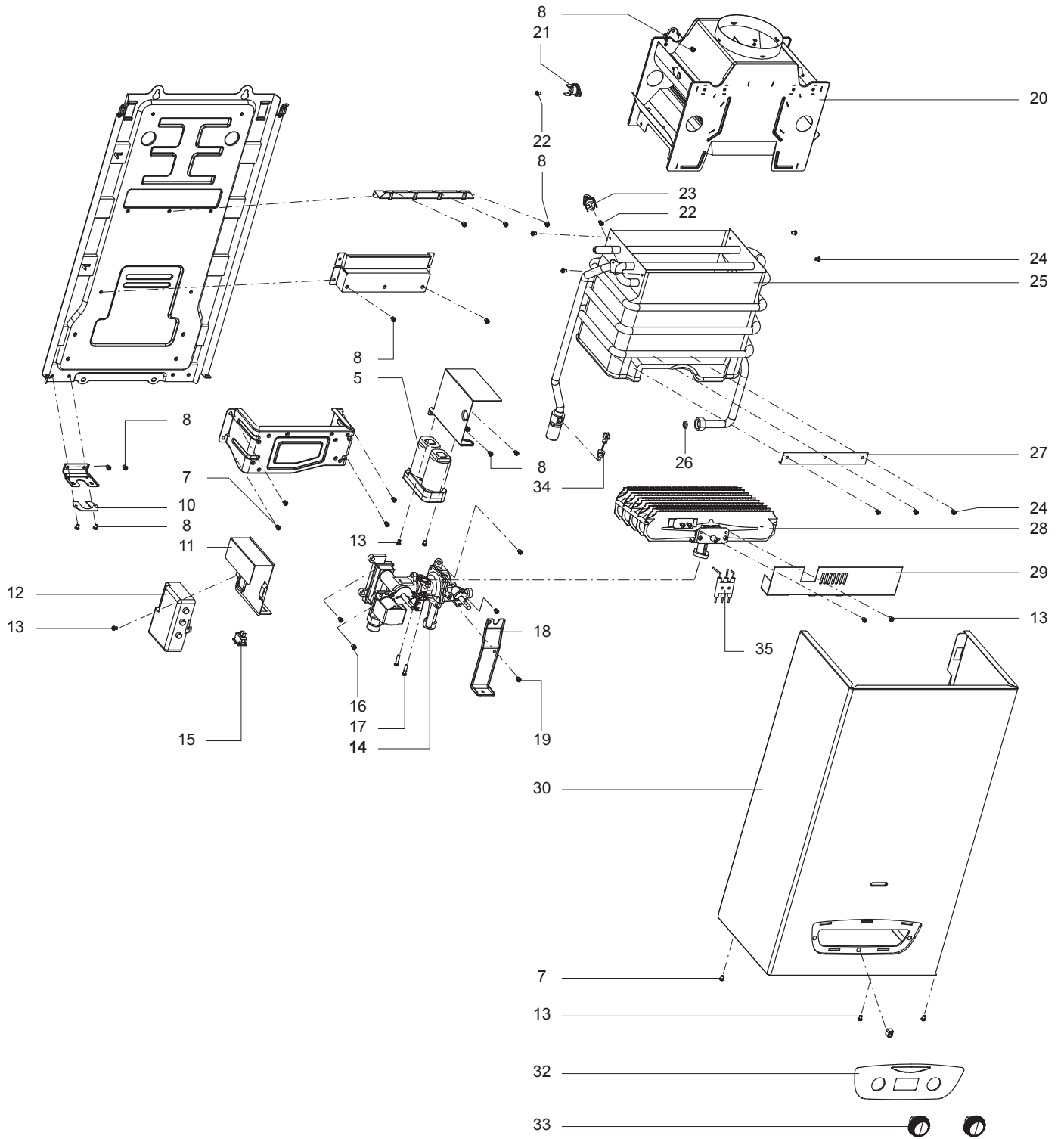




SPARE PARTS EXPLODED VIEW
INSTANTANEOUS GAS WATER HEATERS
Model
FAST R DISPLAY 10L NG

R8218646-01 - 29/01/2021

1	3632715	FAST R DISPLAY 10L NG	02-2021	-
Col	Reference	Model type	Begin	End



Description	Manf. Pt. N	Type	10L NG																		31	
			1	2	3	4	5	6	7	8	9	10	11	12	13	14	15	16	17	18	From	to
0005 BATTERY BOX	65158589		•																			
0007 SCREW	65153166		•																			
0008 SCREW (IGNITION ELECTRODE SUPPORT)	65152438		•																			
0010 CLIP	65153164		•																			
0011 BRACKET (CONTROL BOX)	65153633		•																			
0012 IGNITION BOX	65154863		•																			
0013 SCREW	65153162		•																			
0014 GAS WATER VALVE	65153161		•																			
0015 POWER SWITCH	65153158		•																			
0016 SCREW	65153157		•																			
0017 SCREW	65153156		•																			
0018 VALVE BRACKET(FRONT)	65153155		•																			
0019 SCREW	65153154		•																			
0020 FLUE HOOD	65153153		•																			
0021 THERMOSTAT 110°	65153152		•																			
0022 SCREW	65153151		•																			
0023 THERMOSTAT 80°	65153150		•																			
0024 SCREW (SELF-TAPPING-ST4.2x8)	65152429		•																			
0025 HEAT EXCHANGER	65154865		•																			
0026 HEAT EXCHANGER RUBBER	65158579		•																			
0027 HEAT EXCHANGER PLATE	65153148		•																			
0028 COMPLETE BURNER	65154870		•																			
0029 HEAT INSULATION BOARD	65153144		•																			
0030 CASE PANEL (FRONT)	65154866		•																			
0032 TRIM	65154867		•																			
0033 KNOB	65153665		•																			
0034 THERMOSTAT 110°	65154868		•																			
0035 ELECTRODE (IGNITION/IONIZATION)	65153526		•																			
5001 GAS TRANSF NG TO LPG 10L	65153322		•																			

FAST R DISPLAY 10L

Instantaneous Gas Water Heaters

LIST OF THE ABBREVIATIONS

HW	: Hot water.
CW	: Cold water.
C	: Ceramic resistance (normal heating).
Ca	: Ceramic resistance (accelerated heating)
TP	: Immersion heater.
1F	: With fittings.
2F	: Without fittings.
3F	: With fittings and another outlet connection.
AMI	: With mixing valve.
SMI	: Without mixing valve.
PUISS	: Power of th appliance.
PN	: Appliance with normal pression.
LP	: Appliance with low pression.
PV	: Appliance with variable power.
PF	: Appliance with fixed power.

IDENTIFICATION PLATE

SERIAL NUMBER

5 Characters :	FD 8 61	(from 01/98 to 12/99)	Month of manufacture : from 61 to 72 → January to December
			Year of manufacture : 8 → 1998 9 → 1999
OR			
5 Characters :	FD 0 81	(from 01/00)	Month of manufacture : from 81 to 92 → January to December
			Year of manufacture : 0 → 2000 1 → 2001 2 → 2002 etc ...
6 Characters :	FD 83 05		Month of manufacture
			Year of manufacture : 83 → 2003 84 → 2004